

SPECIFICATIONS

DDR Connector

Mechanical

Contact Retention Force: 0.75Lbs (0.34kg) min.
Durability: 25 Cycles
Vibration: Pass MIL-STD-1344A, Method 2005 Condition I

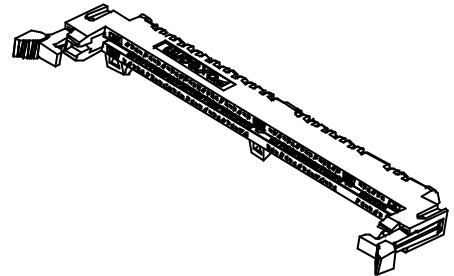
AU250 Series
25 Degree, T/H Type
1.27mm [.050"] Pitch
100 Pos.

Electrical

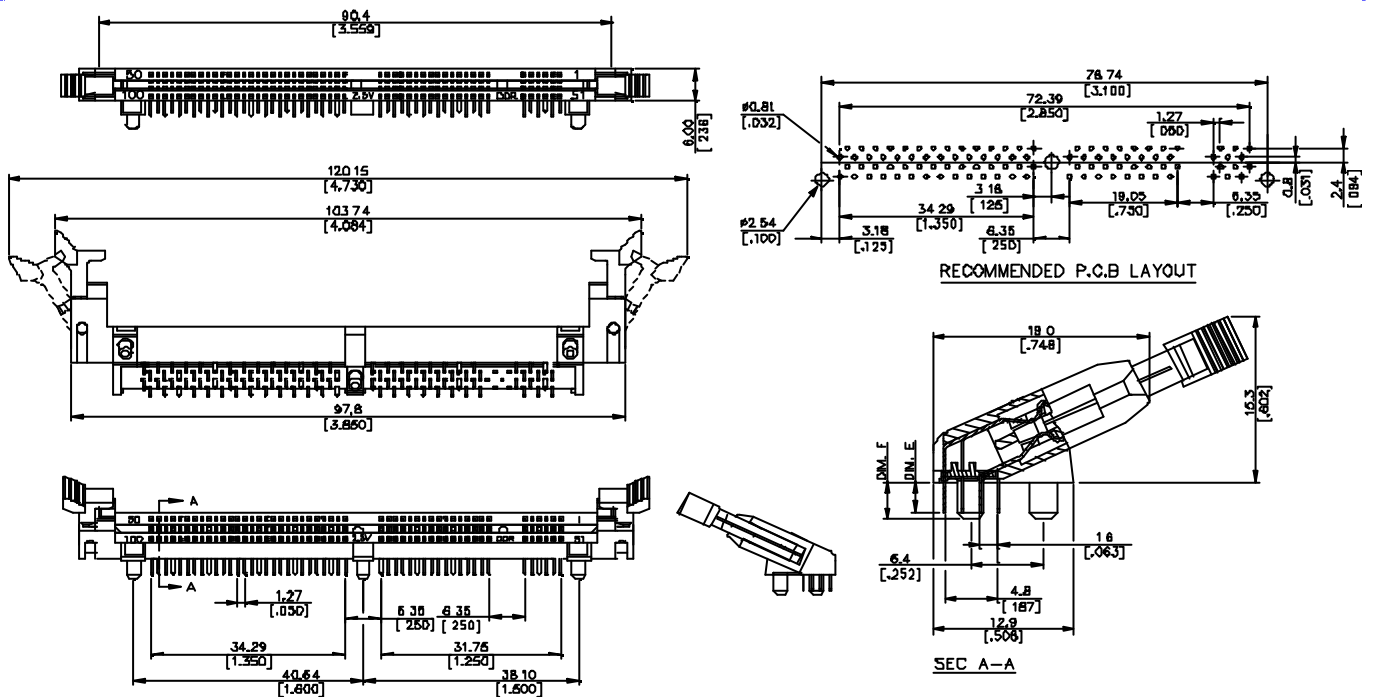
Voltage Rating: 250V
Current Rating: 1.0A max.
Dielectric Withstanding Voltage: 500V
Insulation Resistance: 1000MW min.
Low Level Contact Resistance (Dry Circuit): 30mW max. initial

Physical

Housing: Thermoplastic, UL 94V-0 rated in Black Color
Ejector Lever: Thermoplastic, UL 94V-0 rated in Ivory Color
Contact: Copper alloy
Operating Temperature: 0 to +85

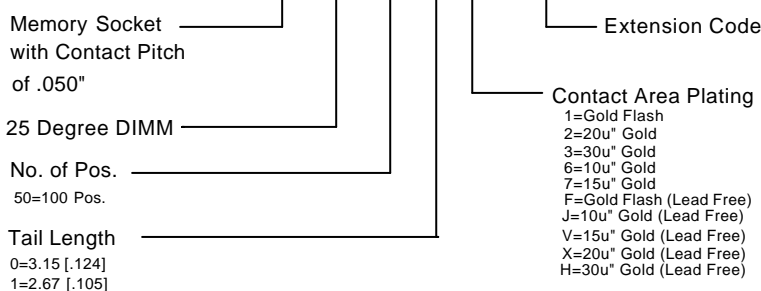


DRAWING



ORDERING INFORMATION

PRODUCT NO.: AU 2 * * * * - * * *



AU2501*-A1	2 5V	2.67 [.105]	3.78 [.149]
P/N	VOLTAGE MARKING	DIM. E	DIM. F